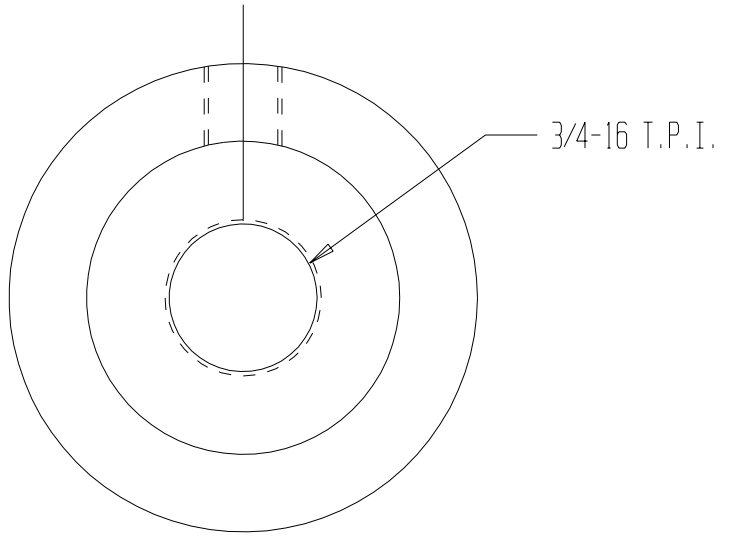
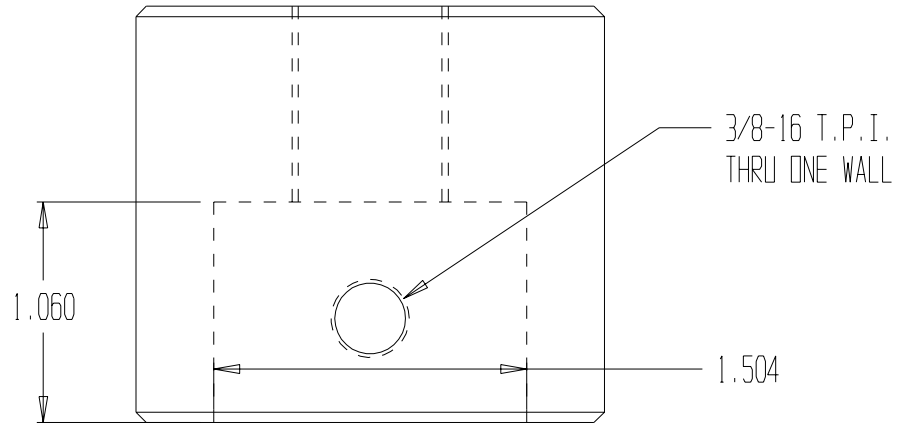


fancort industries, inc

31 FAIRFIELD PLACE, WEST CALDWELL NJ 07006
973-575-0610

TOLERANCES U. O. S.	DESCRIPTION PRESS ADAPTER					
DECIMAL .XXXX + .0002 - .0002	DATE	DRAWN BY		SCALE		
	04-12-99	JCL		APPROVED BY		
DECIMAL .XXX + .002	PRODUCT PNEUMATIC PRESSES				SHEET/LEVEL	
FRACTIONAL + .010	DRAWING # FDD83-016				SERIAL NUMBER	
ANGULAR .5'	DATE	REV.	E.C.O. #	AUTH.	BY	CK



MAT'L CRS
BLACK OXIDE FINISH