

fancort Industries, Inc.

31 FAIRFIELD PLACE

WEST CALDWELL, N.J. 07006

(973) 575-0610

WWW.FANCORT.COM

FAX (973) 575-9234

QUAD PACK SPECIFICATION SHEET

JOB NUMBER

MANUFACTURER

PART NUMBER

DATE

DRAWN BY FANCORT

CHECKED BY

TEXAS INSTRUMENT

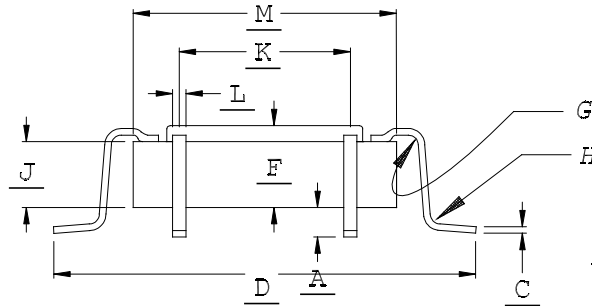
HFQ (S-CQFP-F84)

2/18/10

BC

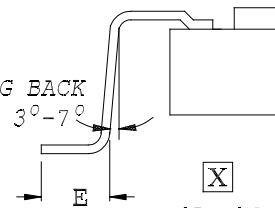
PACKAGE TYPE

TOP BRAZE



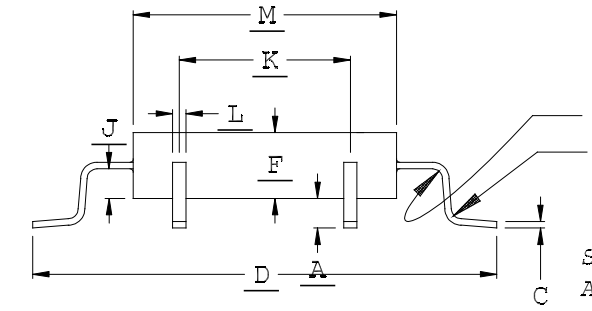
FOOT CONFIGURATIONS

SPRING BACK
ANGLE 3°-7°

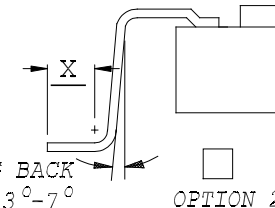


OPTION 1

SIDE EXIT

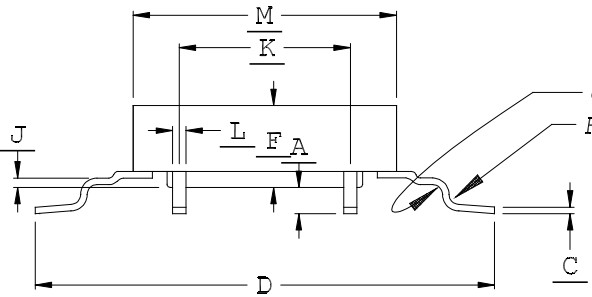


SPRING BACK
ANGLE 3°-7°



OPTION 2
JEDEC

BOTTOM EXIT



OPTION 1

OPTION 2

	DIM. X	DIM. Y	+/-
A	.010	.010	.002
C	.008	.008	MAX
D	.754	.754	.010
E	.050	.050	.005
F	.105	.105	MAX
G	.012	.012	.002
H	.012	.012	.002
J	.099	.099	REF
K	.394	.394	
L	.008	.008	.002
M	.544	.544	?

PITCH	DIM. X	DIM. Y
	.0197	.0197
# OF LEADS PER SIDE	21	21
TOTAL # OF LEADS	84	

CUSTOMER SIGNATURE &
DATE FOR ACCEPTANCE

CONTROLLING UNITS ARE [METRIC] INCHES

LEADS TINNED YES NO

LEAD TYPE: FLAT

PACKAGE TYPE: METAL

ROUND

CERAMIC

UP 0°-4°

PLASTIC

TOE DOWN 0°-4°

GLASS SEAL