

fancort Industries, Inc.

31 FAIRFIELD PLACE

WEST CALDWELL, N.J. 07006

(973) 575-0610

WWW.FANCORT.COM

FAX (973) 575-9234

QUAD PACK SPECIFICATION SHEET

FA NUMBER _____

MANUFACTURER _____

TEXAS INSTRUMENTS

PART NUMBER _____

256 CQFP

DATE _____

12/7/12

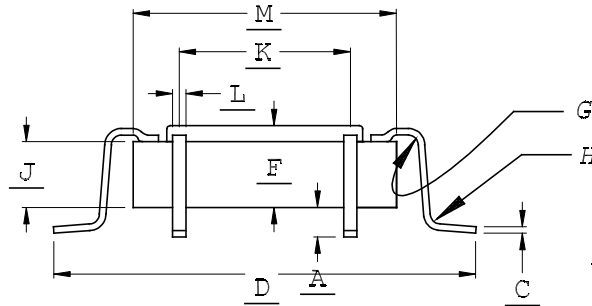
DRAWN BY FANCORT _____

BC

CHECKED BY _____

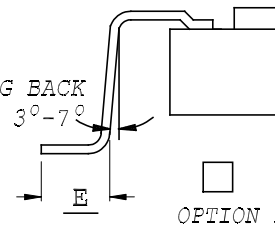
PACKAGE TYPE

TOP BRAZE



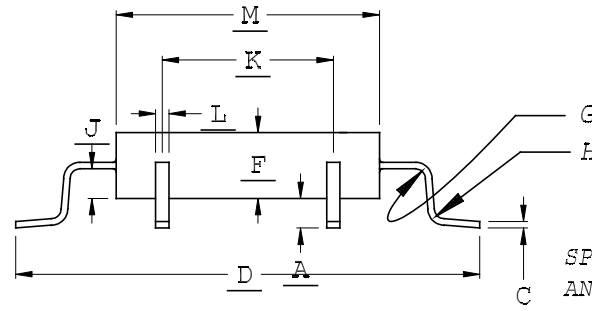
FOOT CONFIGURATIONS

SPRING BACK
ANGLE 3°-7°

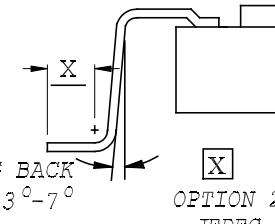


OPTION 1

SIDE EXIT

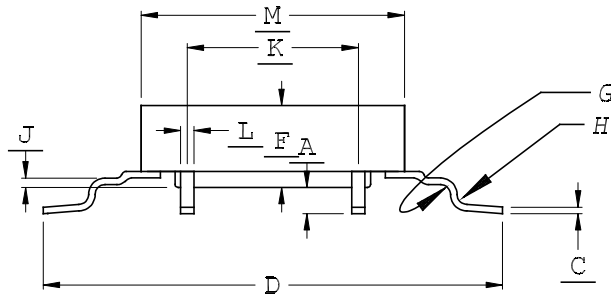


SPRING BACK
ANGLE 3°-7°



OPTION 2
JEDEC

BOTTOM EXIT



OPTION 1

OPTION 2

	DIM. I	DIM. F	TOLERANCE
A	.010	.010	.002
C	.008	.008	MAX
D	1.642	1.642	.010
E	-----	-----	-----
OPTION 1			
OPTION 2			
X	.032	.032	.005
F	.126	.126	MAX
G	.010	.010	+0.004/-0.000
H	.010	.010	+0.004/-0.000
* J	.118	.118	MAX
K	1.240	1.240	BSC
L	.010	.010	MAX
M	1.432	1.432	MAX
PITCH	.01968	.01968	
# OF LEADS PER SIDE	64	64	
TOTAL # OF LEADS	256		

CUSTOMER SIGNATURE &
DATE FOR ACCEPTANCE _____

CONTROLLING UNITS ARE [METRIC] INCHES

LEADS TINNED YES NO

LEAD TYPE: FLAT

PACKAGE TYPE: METAL

ROUND

CERAMIC

UP 0°-4°

PLASTIC

TOE DOWN 0°-4°

GLASS SEAL

* J GIVEN AS A MAXIMUM
FOR TOOLING ORDERS DIMENSION NEEDS BETTER ACCURACY