

fancort Industries, Inc.

31 FAIRFIELD PLACE

WEST CALDWELL, N.J. 07006

(973) 575-0610

WWW.FANCORT.COM

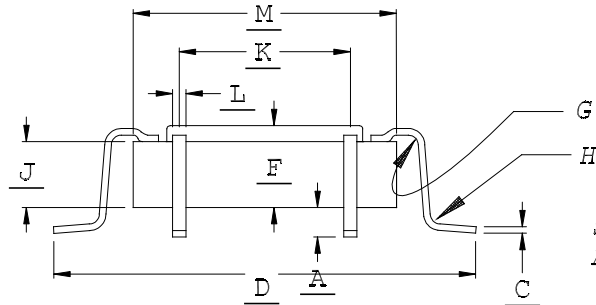
FAX (973) 575-9234

QUAD PACK SPECIFICATION SHEET

JOB NUMBER _____
 MANUFACTURER TEXAS INSTRUMENTS
 PART NUMBER HFG(S-CQFP-F164)
 SM320VC33
 DATE 3/31/10
 DRAWN BY FANCORT BC

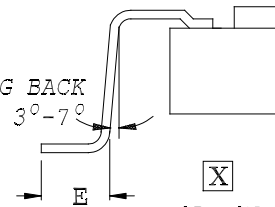
PACKAGE TYPE

TOP BRAZE



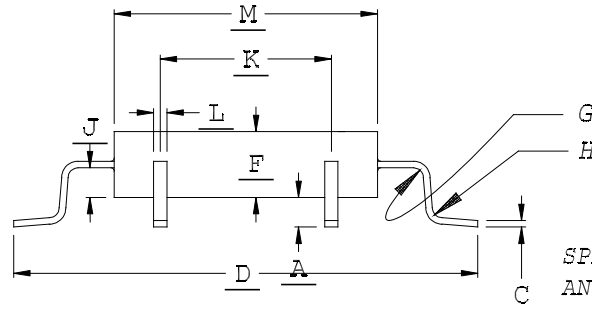
FOOT CONFIGURATIONS

SPRING BACK
ANGLE 3°-7°

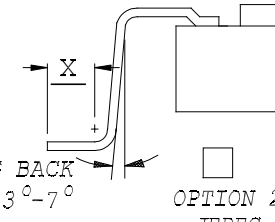


OPTION 1

SIDE EXIT

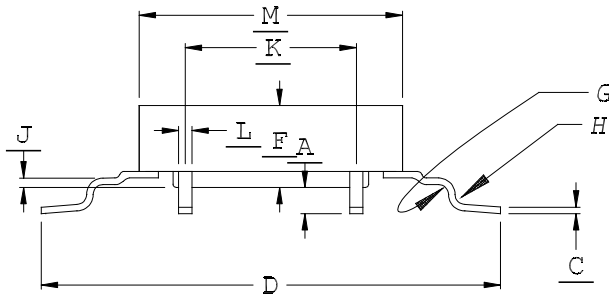


SPRING BACK
ANGLE 3°-7°



OPTION 2
JEDEC

BOTTOM EXIT



OPTION 1
OPTION 2

	DIM. I	DIM. F	+/-
A	.010	.010	.002
C	.009	.009	MAX
D	1.350	1.350	.010
E	.050	.050	.005
F	.130	.130	MAX
G	.012	.012	.002
H	.012	.012	.002
J	.121	.121	REF
K	1.000	1.000	BSC
L	.010	.010	MAX
M	1.140	1.140	MAX
PITCH	.025	.025	
# OF LEADS PER SIDE	41	41	
TOTAL # OF LEADS	164		

CUSTOMER SIGNATURE &
DATE FOR ACCEPTANCE _____

CONTROLLING UNITS ARE [METRIC] INCHES

LEADS TINNED YES NO

LEAD TYPE: FLAT

PACKAGE TYPE: METAL

ROUND

CERAMIC

UP 0°-4°

PLASTIC

TOE DOWN 0°-4°

GLASS SEAL