

fancort Industries, Inc.

31 FAIRFIELD PLACE

WEST CALDWELL, N. J. 07006

(973) 575-0610

WWW.FANCORT.COM FAX (973) 575-9234

QUAD PACK SPECIFICATION SHEET

FA NUMBER PROPOSED

CUSTOMER T. I.

PART NUMBER 4208505

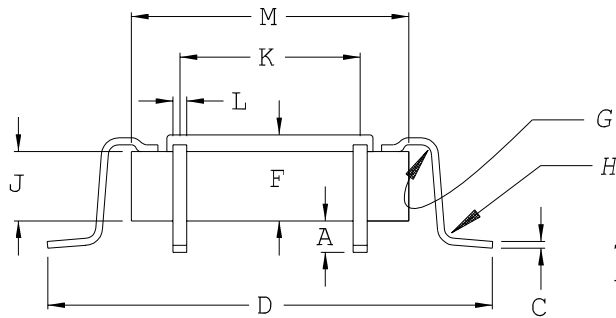
DATE 4/2/07

DRAWN BY FANCORT BC

CHECKED BY _____

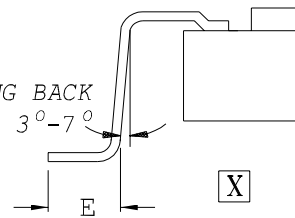
PACKAGE TYPE

TOP BRAZE



FOOT CONFIGURATIONS

SPRING BACK
ANGLE 3°-7°

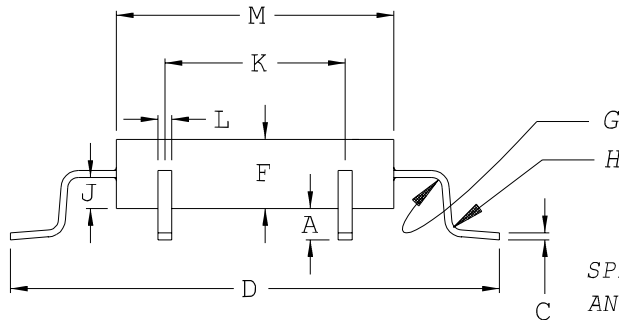


OPTION 1

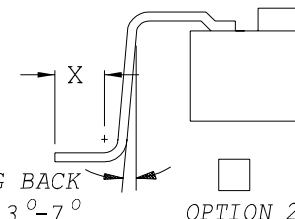
OPTION 1

OPTION 2

SIDE EXIT



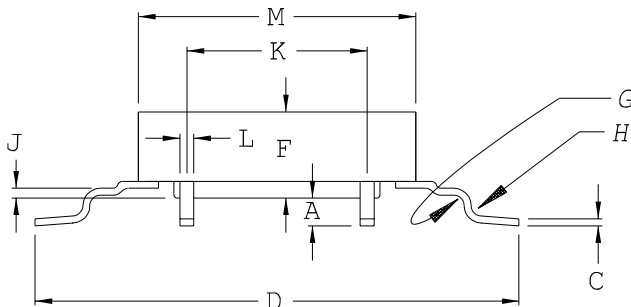
SPRING BACK
ANGLE 3°-7°



OPTION 2

JEDEC

BOTTOM EXIT



	DIM X	DIM Y	TOLERANCE
A	.010	.010	.002
C	.008	.008	MAX
D	.970	.970	.010
E	.045	.045	.005
F	.128	.128	REF
G	.012	.012	.002
H	.012	.012	.002
J	.118	.118	.020
K	.500	.500	
L	.010	.010	MAX
M	.758	.758	MAX

PITCH	.025	.025	
# OF LEADS PER SIDE	21	21	
TOTAL # OF LEADS	84		

CUSTOMER SIGNATURE &
DATE FOR ACCEPTANCE _____

CONTROLLING UNITS ARE [METRIC] INCHES

LEADS TINNED YES NO

LEAD TYPE: FLAT

PACKAGE TYPE: METAL

ROUND

CERAMIC

TOE UP 0°-4°

PLASTIC

TOE DOWN 0°-4°

GLASS SEAL