

# fancort Industries, Inc.

31 FAIRFIELD PLACE

WEST CALDWELL, N. J. 07006

(973) 575-0610 WWW.FANCORT.COM FAX (973) 575-9234

## QUAD PACK SPECIFICATION SHEET

FA NUMBER FA5149

CUSTOMER PESL/BAE SYSTEMS

PART NUMBER MPL06097

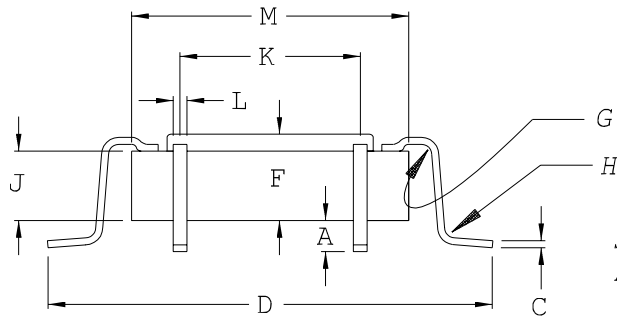
DATE 5/15/08

DRAWN BY FANCORT BC

CHECKED BY \_\_\_\_\_

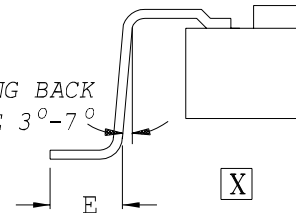
PACKAGE TYPE

TOP BRAZE



FOOT CONFIGURATIONS

SPRING BACK  
ANGLE 3°-7°



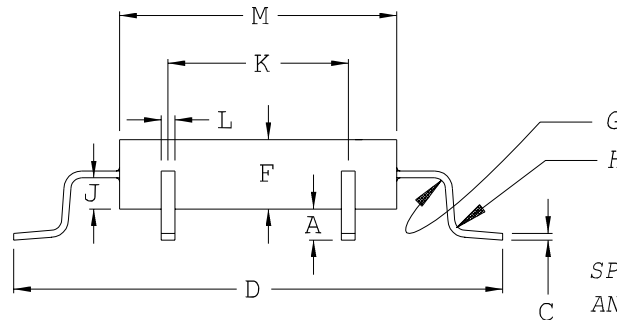
OPTION 1

OPTION 1

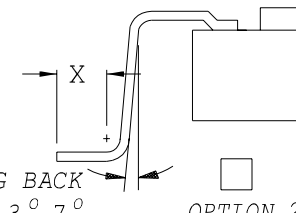
OPTION 2

	DIM X	DIM Y	TOLERANCE
A	0.15	0.15	0.05
C	0.25	0.25	MAX
D	53.47	53.47	0.254
E	1.40	1.40	0.127
F	3.70	3.70	MAX
G	0.254	0.254	0.05
H	0.254	0.254	0.05
J	2.95	2.95	0.55
K	43.51	43.51	BSC
L	0.25	0.25	MAX
M	48.48	48.48	MAX
PITCH	0.50	0.50	
# OF LEADS PER SIDE	88	88	
TOTAL # OF LEADS	352		

SIDE EXIT



SPRING BACK  
ANGLE 3°-7°



OPTION 2

JEDEC

CUSTOMER SIGNATURE &

DATE FOR ACCEPTANCE \_\_\_\_\_

CONTROLLING UNITS ARE [METRIC ] INCHES

LEADS TINNED  YES  NO

LEAD TYPE: FLAT

PACKAGE TYPE: METAL

ROUND

CERAMIC

TOE UP  0°-4°

PLASTIC

DOWN  0°-4°

GLASS SEAL

BOTTOM EXIT

