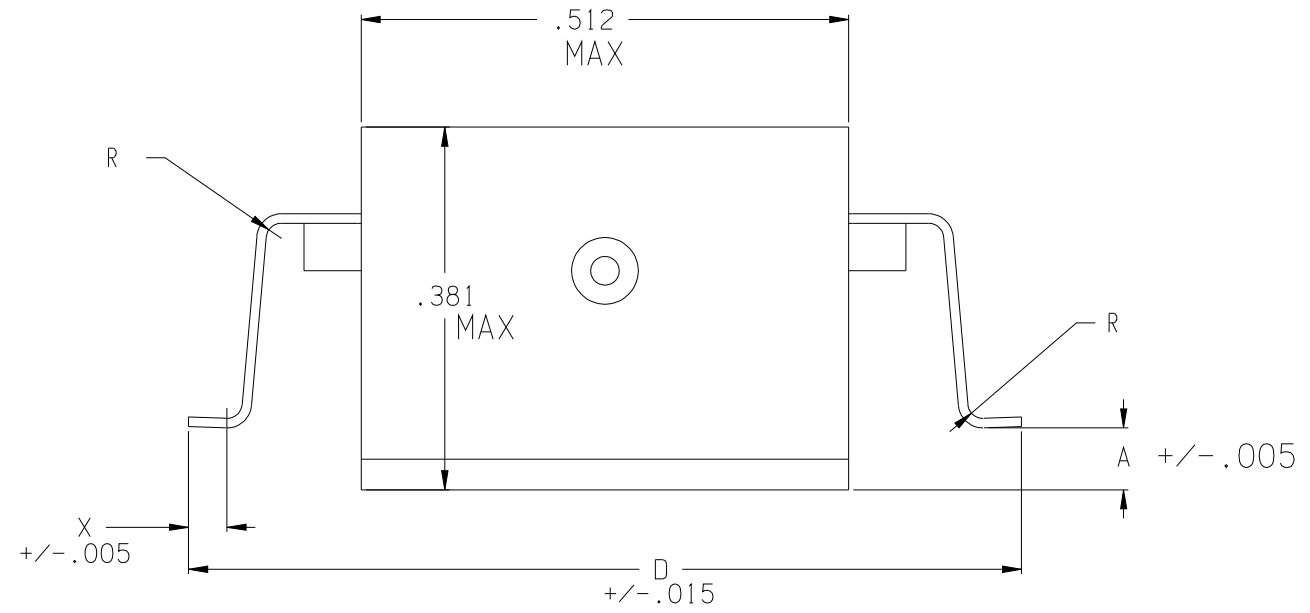


REVISIONS				
ZONE	REV	DESCRIPTION	DATE	APPROVED



NOTE: Foot can be designed to extend past the bottom of the case.

Fancort Industries
 31 Fairfield Place
 West Caldwell NJ 07006

DESIGNER	SIZE A	CAGE CODE	DWG NO LASER PUMP	REV
APPROVED	SCALE	RELEASE DATE	WEIGHT	SHEET