

fancort Industries, Inc.

31 FAIRFIELD PLACE

WEST CALDWELL, N.J. 07006

(973) 575-0610

WWW.FANCORT.COM

FAX (973) 575-9234

QUAD PACK SPECIFICATION SHEET

FA NUMBER _____

MANUFACTURER KYOCERA

PART NUMBER GMS-88478-B

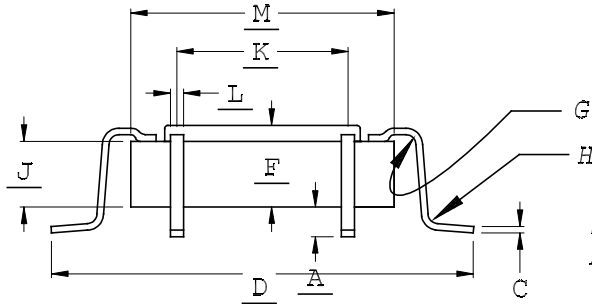
DATE 1/22/10

DRAWN BY FANCORT BC

CHECKED BY _____

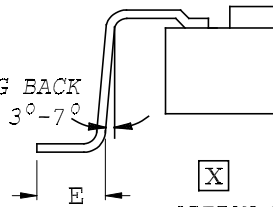
PACKAGE TYPE

TOP BRAZE



FOOT CONFIGURATIONS

SPRING BACK
ANGLE 3°-7°

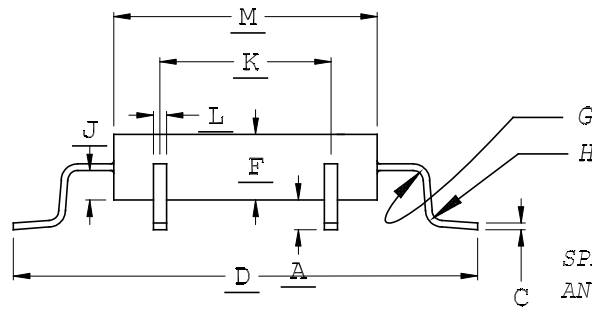


OPTION 1

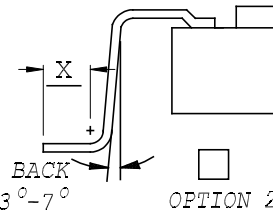
OPTION 1

OPTION 2

SIDE EXIT



SPRING BACK
ANGLE 3°-7°



OPTION 2

JEDEC

*1 SIDE ONLY

| | DIM. I | DIM. I | +/- |
|---------------------|-----------|-----------|------|
| A | .010 | .010 | .002 |
| C | .005 | .005 | .001 |
| D | .375 | .330 | .010 |
| E | .050 | .050 | .005 |
| F | .051 | .051 | MAX |
| G | .008 | .008 | .002 |
| H | .008 | .008 | .002 |
| J | .025 | .025 | .004 |
| K | .135* | N/A | |
| L | .010 | .010 | .002 |
| M | .265 | .220 | MAX |
| PITCH | .045 | N/A | |
| # OF LEADS PER SIDE | 4 & 1 | 1 | |
| TOTAL # OF LEADS | 7 | | |

CUSTOMER SIGNATURE &
DATE FOR ACCEPTANCE _____

CONTROLLING UNITS ARE [METRIC] INCHES

LEADS TINNED YES NO

LEAD TYPE: FLAT

PACKAGE TYPE: METAL

ROUND

CERAMIC

TOE UP 0°-4°

PLASTIC

DOWN 0°-4°

GLASS SEAL

BOTTOM EXIT

