

# fancort Industries, Inc.

31 FAIRFIELD PLACE

WEST CALDWELL, N.J. 07006

(973) 575-0610

WWW.FANCORT.COM

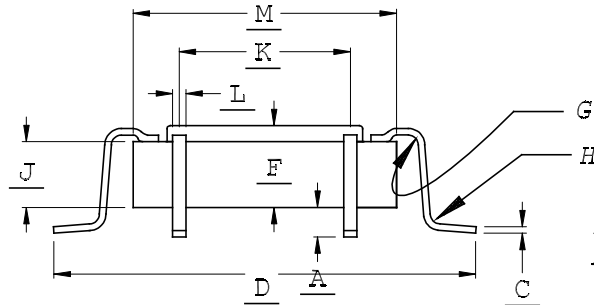
FAX (973) 575-9234

## QUAD PACK SPECIFICATION SHEET

FA NUMBER \_\_\_\_\_  
 MANUFACTURER KYOCERA  
 PART NUMBER 240 CQFP  
 DATE 6/13/12  
 DRAWN BY FANCORT BC  
 CHECKED BY \_\_\_\_\_

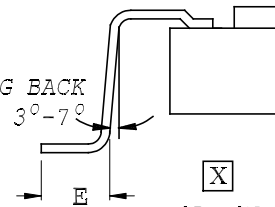
PACKAGE TYPE

TOP BRAZE



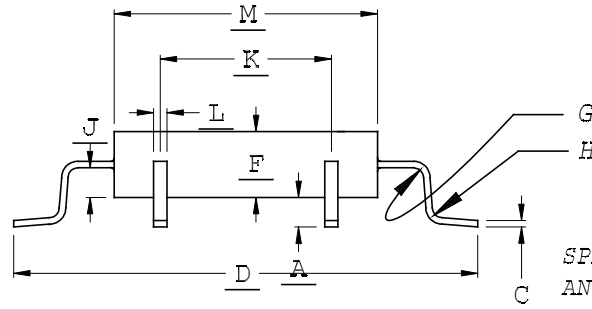
FOOT CONFIGURATIONS

SPRING BACK  
ANGLE 3°-7°

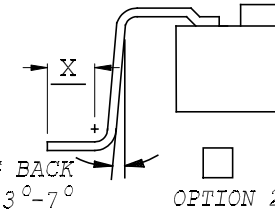


OPTION 1

SIDE EXIT

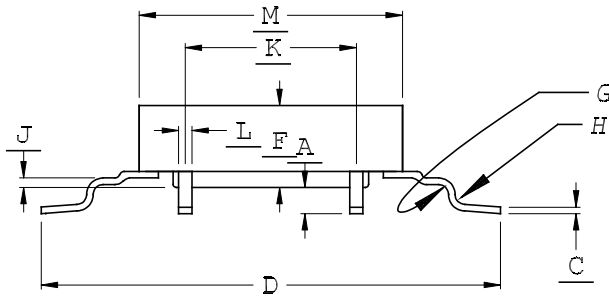


SPRING BACK  
ANGLE 3°-7°



OPTION 2  
JEDEC

BOTTOM EXIT



OPTION 1  
OPTION 2

	DIM. I	DIM. I	TOLERANCE
A	0.25	0.25	0.05
C	0.15	0.15	0.05
D	39.67	39.67	0.254
E	1.0	1.0	0.127
OPTION 1			
OPTION 2			
F	4.04	4.04	MAX
G	0.254	0.254	0.05
H	0.254	0.254	0.05
J	3.20	3.20	0.33
K	29.49	29.49	
L	0.20	0.20	0.05
M	34.34	34.34	MAX
PITCH	0.5	0.5	
# OF LEADS PER SIDE	60	60	
TOTAL # OF LEADS	240		

CUSTOMER SIGNATURE &  
DATE FOR ACCEPTANCE \_\_\_\_\_

CONTROLLING UNITS ARE [METRIC ] INCHES

LEADS TINNED  YES  NO

LEAD TYPE: FLAT

PACKAGE TYPE: METAL

ROUND

CERAMIC

UP  0°-4°

PLASTIC

TOE DOWN  0°-4°

GLASS SEAL