

# fancort Industries, Inc.

31 FAIRFIELD PLACE

WEST CALDWELL, N.J. 07006

(973) 575-0610

WWW.FANCORT.COM

FAX (973) 575-9234

## QUAD PACK SPECIFICATION SHEET

FA NUMBER \_\_\_\_\_

MANUFACTURER \_\_\_\_\_

KYOCERA

PART NUMBER \_\_\_\_\_

108 CQFP

DATE \_\_\_\_\_

6/13/12

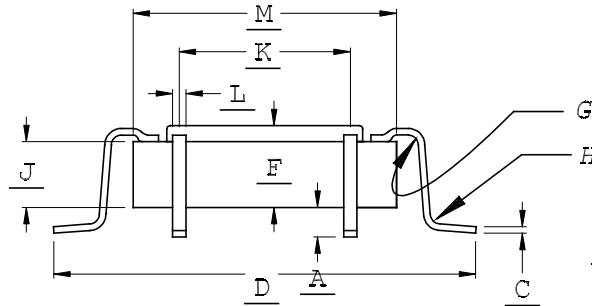
DRAWN BY FANCORT \_\_\_\_\_

BC

CHECKED BY \_\_\_\_\_

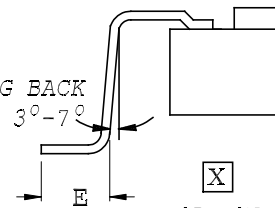
PACKAGE TYPE

TOP BRAZE



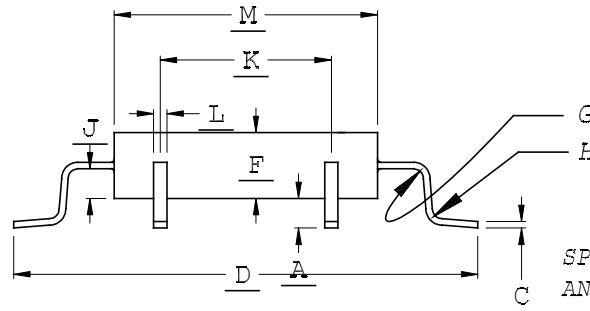
FOOT CONFIGURATIONS

SPRING BACK  
ANGLE 3°-7°

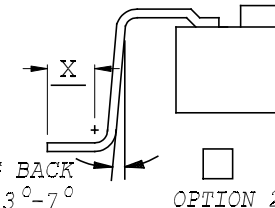


OPTION 1

SIDE EXIT

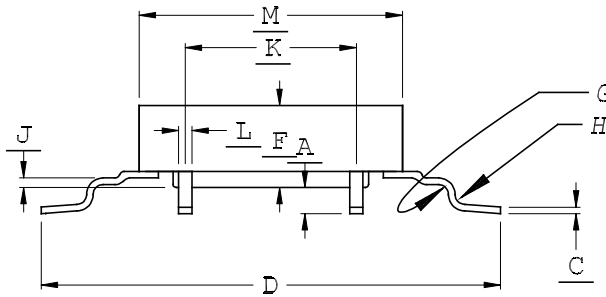


SPRING BACK  
ANGLE 3°-7°



OPTION 2  
JEDEC

BOTTOM EXIT



OPTION 1

OPTION 2

	DIM. I	DIM. F	TOLERANCE
A	0.25	0.25	0.05
C	0.20	0.20	MAX
D	27.55	27.55	0.254
E	1.0	1.0	0.127
F	2.74	2.74	MAX
G	0.254	0.254	0.05
H	0.254	0.254	0.05
J	1.78	1.78	0.254
K	16.25	16.25	
L	0.32	0.32	0.127
M	22.22	22.22	MAX
PITCH	0.625	0.625	
# OF LEADS PER SIDE	27	27	
TOTAL # OF LEADS	108		

CUSTOMER SIGNATURE &  
DATE FOR ACCEPTANCE \_\_\_\_\_

CONTROLLING UNITS ARE [METRIC ] INCHES

LEADS TINNED  YES  NO

LEAD TYPE: FLAT

PACKAGE TYPE: METAL

ROUND

CERAMIC

UP  0°-4°

PLASTIC

TOE DOWN  0°-4°

GLASS SEAL