

fancort Industries, Inc.

31 FAIRFIELD PLACE

WEST CALDWELL, N.J. 07006

(973) 575-0610

WWW.FANCORT.COM

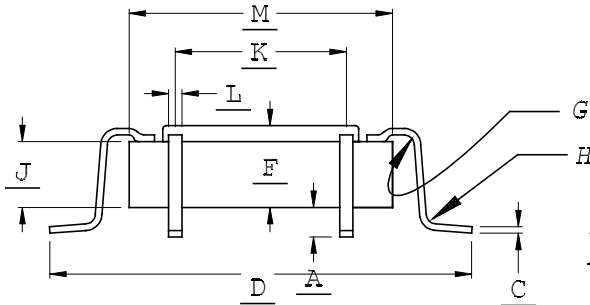
FAX (973) 575-9234

QUAD PACK SPECIFICATION SHEET

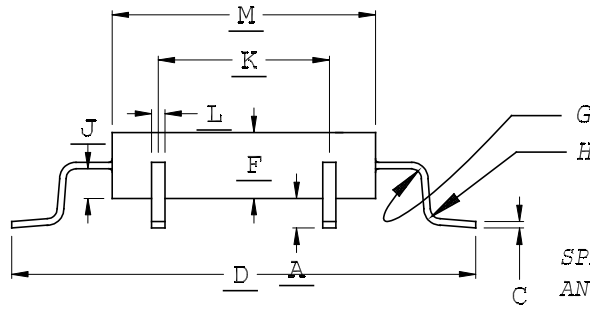
FA NUMBER _____
 MANUFACTURER INTERSIL
 PART NUMBER R64.C
 DATE 10/11/12
 DRAWN BY FANCORT BC
 CHECKED BY _____

PACKAGE TYPE

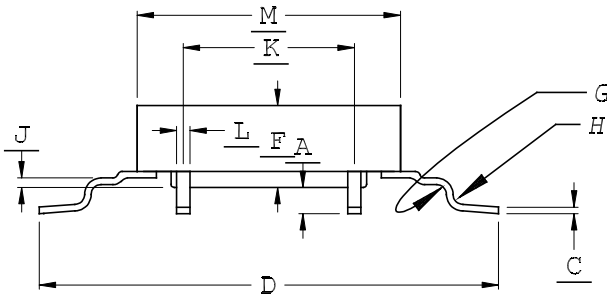
TOP BRAZE



SIDE EXIT

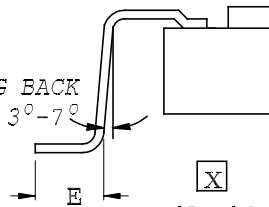


BOTTOM EXIT



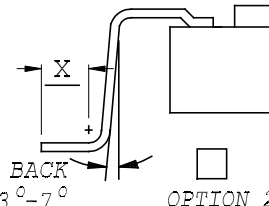
FOOT CONFIGURATIONS

SPRING BACK
ANGLE 3°-7°



OPTION 1

SPRING BACK
ANGLE 3°-7°



OPTION 2
JEDEC

OPTION 1
OPTION 2

	DIM. I	DIM. F	TOLERANCE
A	.010	.010	.002
C	.0075	.0075	MAX
D	.780	.780	.010
E	.050	.050	.005
F	.135	.135	MAX
G	.010	.010	.002
H	.010	.010	.002
J	.026	.026	MIN
K	.375	.375	.005
L	.008	.008	.002
M	.567	.567	MAX
PITCH	.025	.025	
# OF LEADS PER SIDE	16	16	
TOTAL # OF LEADS	64		

CUSTOMER SIGNATURE &
DATE FOR ACCEPTANCE _____

CONTROLLING UNITS ARE [METRIC] INCHES

LEADS TINNED YES NO

LEAD TYPE: FLAT

PACKAGE TYPE: METAL

ROUND

CERAMIC

UP 0°-4°

PLASTIC

TOE DOWN 0°-4°

GLASS SEAL