

fancort Industries, Inc.

31 FAIRFIELD PLACE

WEST CALDWELL, N.J. 07006

(973) 575-0610

WWW.FANCORT.COM

FAX (973) 575-9234

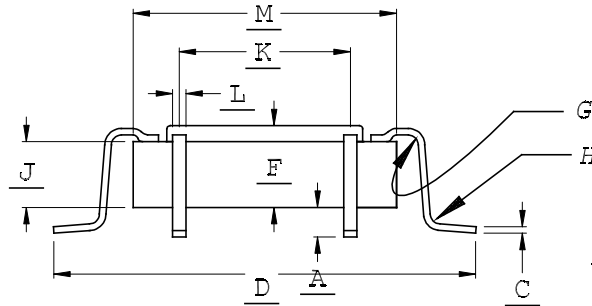
TOP BRAZE

QUAD PACK SPECIFICATION SHEET

FA NUMBER _____
 MANUFACTURER INTERSIL
 PART NUMBER 64 LEAD QP
 DATE 12/9/10
 DRAWN BY FANCORT BC
 CHECKED BY _____

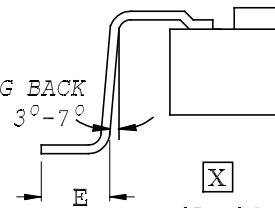
PACKAGE TYPE

TOP BRAZE



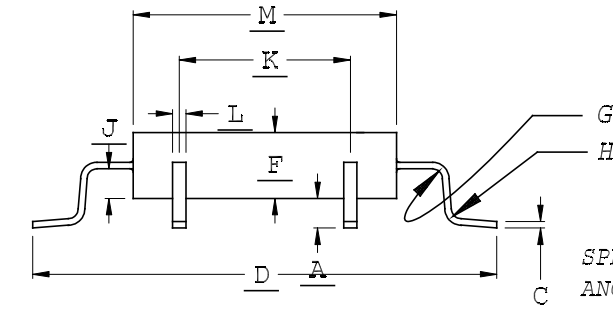
FOOT CONFIGURATIONS

SPRING BACK
ANGLE 3°-7°

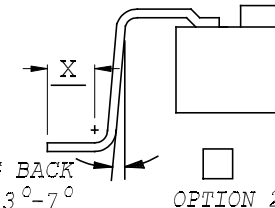


OPTION 1

SIDE EXIT

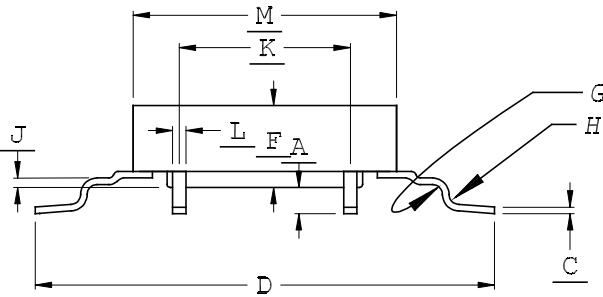


SPRING BACK
ANGLE 3°-7°



OPTION 2
JEDEC

BOTTOM EXIT



OPTION 1
OPTION 2

	DIM. I	DIM. I	+/-
A	.010	.010	.002
C	.006	.006	.001
D	.765	.765	.010
E	.050	.050	.005
F	.080	.080	.015
G	.010	.010	.002
H	.010	.010	.002
J	.073	.073	.015
K	.375	.375	.005
L	.008	.008	.002
M	.555	.555	+.012/-.008
PITCH	.025	.025	
# OF LEADS PER SIDE	16	16	
TOTAL # OF LEADS	64		

CUSTOMER SIGNATURE &
DATE FOR ACCEPTANCE _____

CONTROLLING UNITS ARE [METRIC] INCHES

LEADS TINNED YES NO

LEAD TYPE: FLAT

PACKAGE TYPE: METAL

ROUND

CERAMIC

UP 0°-4°

PLASTIC

TOE DOWN 0°-4°

GLASS SEAL