

# fancort Industries, Inc.

31 FAIRFIELD PLACE

WEST CALDWELL, N.J. 07006

BOTTOM BRAZE

(973) 575-0610

WWW.FANCORT.COM

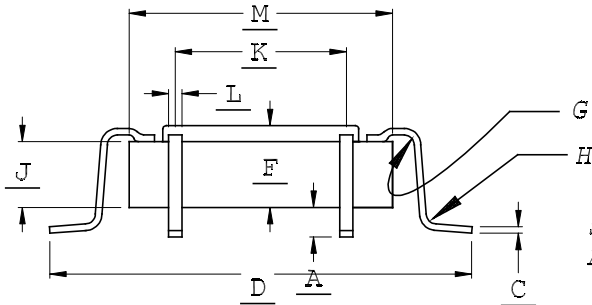
FAX (973) 575-9234

## QUAD PACK SPECIFICATION SHEET

FA NUMBER \_\_\_\_\_  
 MANUFACTURER INTERSIL  
 PART NUMBER 64 LEAD QP  
 DATE 12/9/10  
 DRAWN BY FANCORT BC  
 CHECKED BY \_\_\_\_\_

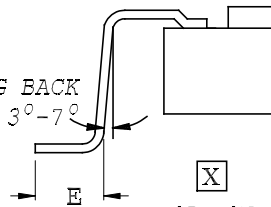
PACKAGE TYPE

TOP BRAZE



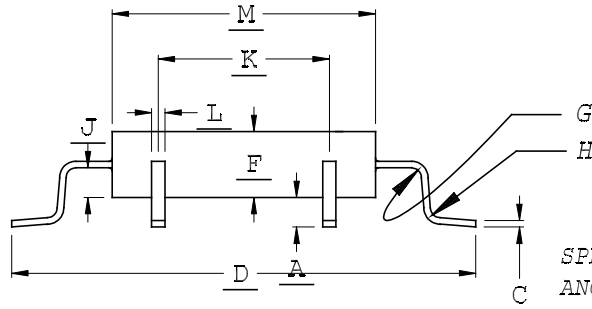
FOOT CONFIGURATIONS

SPRING BACK ANGLE 3°-7°

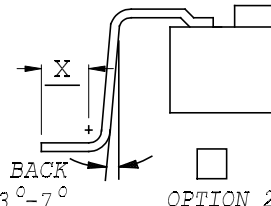


OPTION 1

SIDE EXIT



SPRING BACK ANGLE 3°-7°

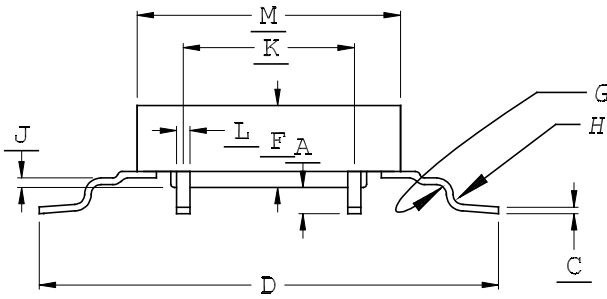


OPTION 2  
JEDEC

OPTION 1  
OPTION 2

	DIM. I	DIM. F	+/-
A	.030	.030	.002
C	.006	.006	.001
D	.765	.765	.010
E	.050	.050	.005
F	.080	.080	.015
G	.010	.010	.002
H	.010	.010	.002
J	.000	.000	.015
K	.375	.375	.005
L	.008	.008	.002
M	.555	.555	+.012/-.008
PITCH	.025	.025	
# OF LEADS PER SIDE	16	16	
TOTAL # OF LEADS	64		

BOTTOM EXIT



CUSTOMER SIGNATURE &  
DATE FOR ACCEPTANCE \_\_\_\_\_

CONTROLLING UNITS ARE [METRIC ] INCHES

LEADS TINNED  YES  NO

LEAD TYPE: FLAT

PACKAGE TYPE: METAL

ROUND

CERAMIC

UP  0°-4°

PLASTIC

TOE DOWN  0°-4°

GLASS SEAL