

fancort Industries, Inc.

31 FAIRFIELD PLACE
(973) 575-0610

WEST CALDWELL, N.J. 07006

WWW.FANCORT.COM FAX (973) 575-9234

QUAD PACK SPECIFICATION SHEET

FA NUMBER _____

CUSTOMER INNOFLIGHT

PART NUMBER ACTEL 208

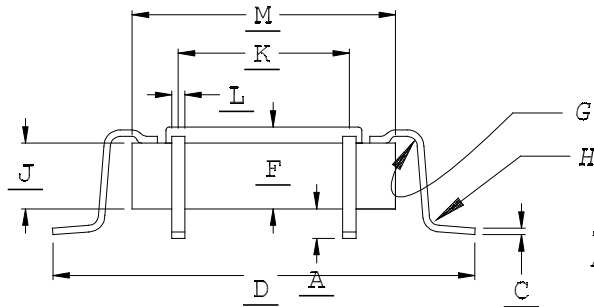
DATE 8/12/09

DRAWN BY FANCORT BC

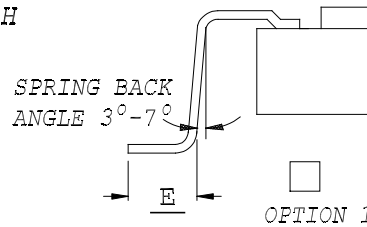
CHECKED BY _____

PACKAGE TYPE

TOP BRAZE



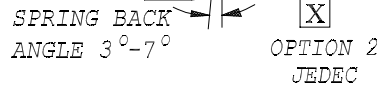
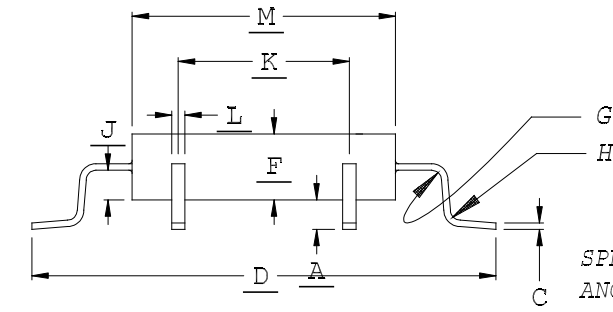
FOOT CONFIGURATIONS



OPTION 1

OPTION 2

SIDE EXIT



	DIM. X	DIM. Y	+/-
A	.010	.010	.005
C	.007	.007	MAX
D	1.306	1.306	.010
E	-----	-----	-----
X	.020	.020	.005
F	.105	.105	.015
G	.010	.010	.002
H	.010	.010	.002
J	.110	.110	.015
K	1.004	1.004	BSC
L	.0086	.0086	MAX
M	1.160	1.160	MAX
FINCH	.0197	.0197	
# OF LEADS PER SIDE	52	52	
TOTAL # OF LEADS	208		

CUSTOMER SIGNATURE &
DATE FOR ACCEPTANCE _____

CONTROLLING UNITS ARE [METRIC] INCHES

LEADS TINNED YES NO

LEAD TYPE: FLAT

PACKAGE TYPE: METAL

ROUND

CERAMIC

UP 0°-4°

PLASTIC

TOE DOWN 0°-4°

GLASS SEAL

BOTTOM EXIT

