

fancort Industries, Inc.

31 FAIRFIELD PLACE

WEST CALDWELL, N.J. 07006

(973) 575-0610

WWW.FANCORT.COM

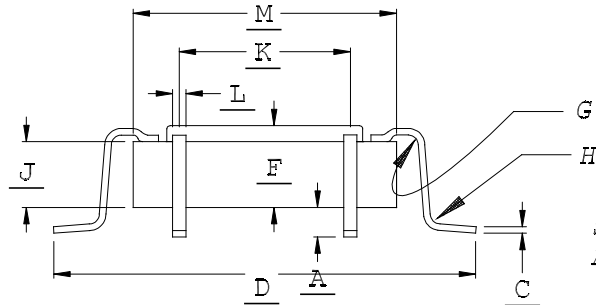
FAX (973) 575-9234

QUAD PACK SPECIFICATION SHEET

JOB NUMBER _____
 MANUFACTURER International Rectifier
 PART NUMBER CQFP 44 LEADS
 DATE 8/4/10
 DRAWN BY FANCORT
 CHECKED BY BC

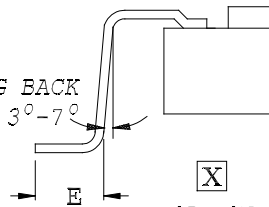
PACKAGE TYPE

TOP BRAZE



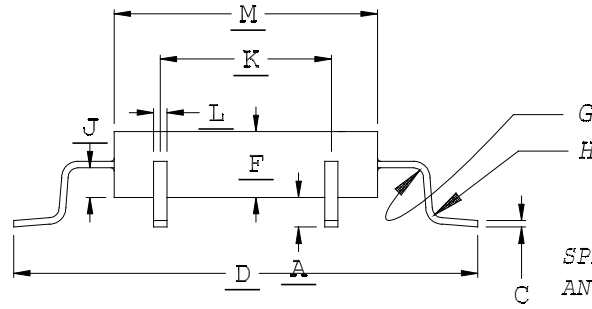
FOOT CONFIGURATIONS

SPRING BACK
ANGLE 3°-7°

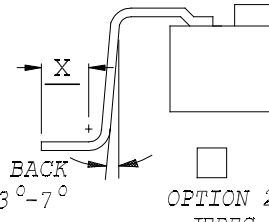


OPTION 1

SIDE EXIT

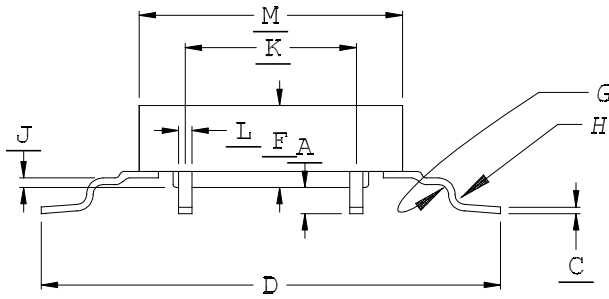


SPRING BACK
ANGLE 3°-7°



OPTION 2
JEDEC

BOTTOM EXIT



OPTION 1
OPTION 2

	DIM. I	DIM. F	TOLERANCE
A	.010	.010	.002
C	.008	.008	.002
D	.770	.770	.010
E	.050	.050	.005
F	.090	.090	REF
G	.012	.012	.002
H	.012	.012	.002
J	.080	.080	REF
K	.400	.400	N/A
L	.015	.015	.002
M	.550	.550	.010
PITCH	.040	.040	
# OF LEADS PER SIDE	11	11	
TOTAL # OF LEADS	44		

CUSTOMER SIGNATURE &
DATE FOR ACCEPTANCE _____

CONTROLLING UNITS ARE [METRIC] INCHES

LEADS TINNED YES NO

LEAD TYPE: FLAT

PACKAGE TYPE: METAL

ROUND

CERAMIC

TOE UP 0°-4°

PLASTIC

DOWN 0°-4°

GLASS SEAL