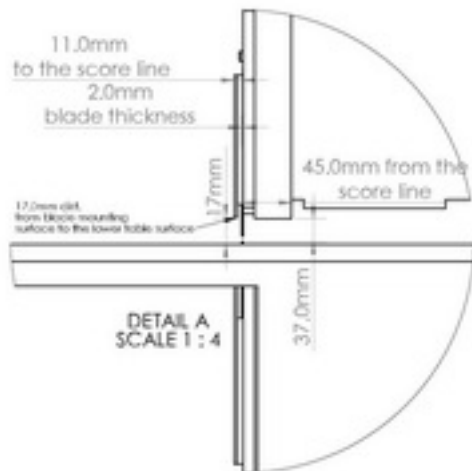
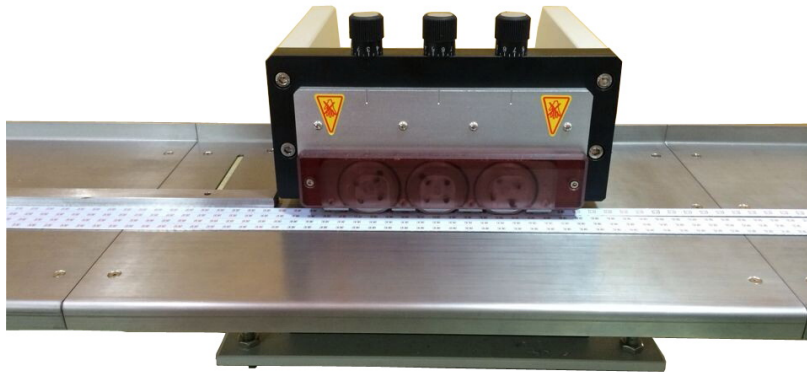




## Bench Top PCB Depaneler for LED PCB's

### Features:

- Three pairs of precision beveled cutting blades can ensure the board does not bend, or deform
- Guide can be adjusted vertically to suit different LED boards
- Depth between upper circular blades can be precisely adjusted to reduce stress on score-line edge and blade wear
- Blades are motor driven (110 or 220 volt)
- Upper and lower circular blades can be resharpened
- 2.4mm Stainless steel platform is standard; optional lengths are available
- Topside clearance is .7mm height at a 45mm distance



### Specifications: P/N: CL-100

Machine Size: 15.75x15.75x13.4" Platform Size : 59x10.6x7.85"

The Longest Panel:	No limit
Minimum Speed:	0-400mm/s
PCB Thickness Range:	0.8-3.375mm
Machine Weight:	45Kg