

# fancort Industries, Inc.

31 FAIRFIELD PLACE

WEST CALDWELL, N.J. 07006

(973) 575-0610

WWW.FANCORT.COM

FAX (973) 575-9234

## QUAD PACK SPECIFICATION SHEET

FA NUMBER \_\_\_\_\_

MANUFACTURER \_\_\_\_\_

AEROFLEX

PART NUMBER \_\_\_\_\_

ACT8501

DATE \_\_\_\_\_

9/14/09

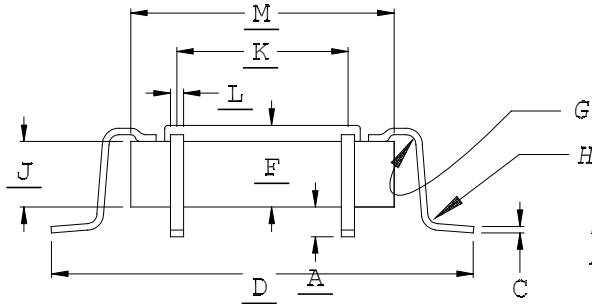
DRAWN BY FANCORT \_\_\_\_\_

BC

CHECKED BY \_\_\_\_\_

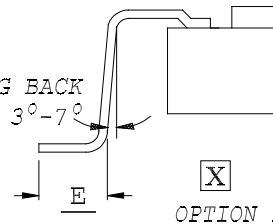
PACKAGE TYPE

TOP BRAZE



FOOT CONFIGURATIONS

SPRING BACK  
ANGLE 3°-7°

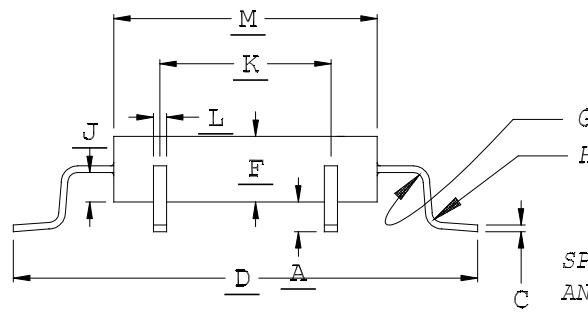


OPTION 1

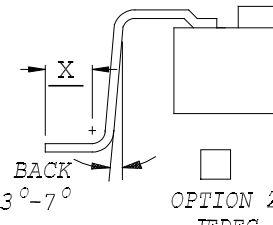
OPTION 1

OPTION 2

SIDE EXIT



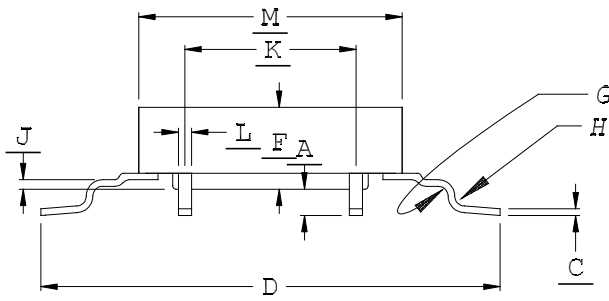
SPRING BACK  
ANGLE 3°-7°



OPTION 2

JEDEC

BOTTOM EXIT



	DIM. I	DIM. I	TOLERANCE
A	.010	.010	.002
C	.006	.006	.001
D	1.540	1.540	.010
E	.050	.050	.005
F	.200	.200	MAX
G	.010	.010	.002
H	.010	.010	.002
J	.194	.194	MAX
K	1.150	1.150	.005
L	.0165	.0165	.003
M	1.320	1.320	MAX

PITCH	.050	.050
# OF LEADS PER SIDE	24	24
TOTAL # OF LEADS	96	

CUSTOMER SIGNATURE &

DATE FOR ACCEPTANCE \_\_\_\_\_

CONTROLLING UNITS ARE [METRIC ] INCHES

LEADS TINNED  YES  NO

LEAD TYPE: FLAT

PACKAGE TYPE: METAL

ROUND

CERAMIC

UP  0°-4°

PLASTIC

TOE DOWN  0°-4°

GLASS SEAL