

fancort Industries, Inc.

31 FAIRFIELD PLACE

WEST CALDWELL, N.J. 07006

(973) 575-0610

WWW.FANCORT.COM

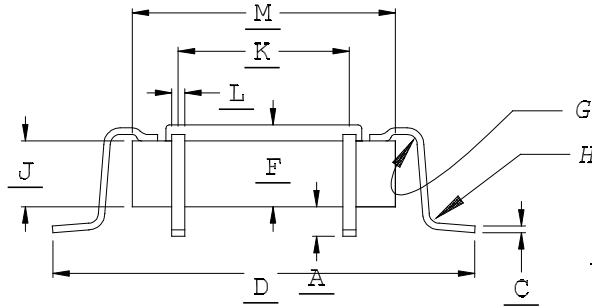
FAX (973) 575-9234

QUAD PACK SPECIFICATION SHEET

FA NUMBER _____
 MANUFACTURER AEROFLEX
 PART NUMBER MUX8533
 DATE 9/14/09
 DRAWN BY FANCORT BC
 CHECKED BY _____

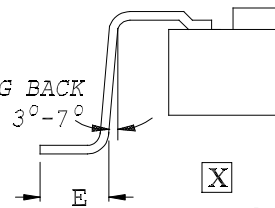
PACKAGE TYPE

TOP BRAZE



FOOT CONFIGURATIONS

SPRING BACK
ANGLE 3°-7°

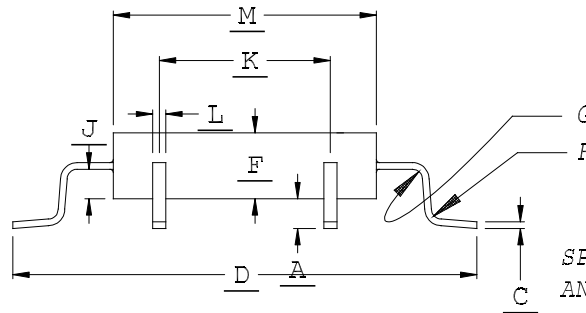


OPTION 1

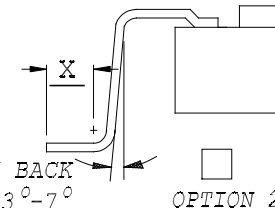
OPTION 1

OPTION 2

SIDE EXIT



SPRING BACK
ANGLE 3°-7°



OPTION 2

JEDEC

	DIM. X	DIM. Y	TOLERANCE
A	.010	.010	.002
C	.006	.006	.002
D	1.020	1.020	.010
E	.050	.050	.005
F	.200	.200	MAX
G	.010	.010	.002
H	.010	.010	.002
J	.194	.194	MAX
K	.650	.650	.005
L	.0165	.0165	.003
M	.800	.800	.010
PITCH	.050	.050	

OF LEADS
PER SIDE

14

14

TOTAL
OF LEADS

56

CUSTOMER SIGNATURE &

DATE FOR ACCEPTANCE _____

CONTROLLING UNITS ARE [METRIC] INCHES

LEADS TINNED YES NO

LEAD TYPE: FLAT

PACKAGE TYPE: METAL

ROUND

CERAMIC

TOE UP 0°-4°

PLASTIC

DOWN 0°-4°

GLASS SEAL

BOTTOM EXIT

