

fancort Industries, Inc.

31 FAIRFIELD PLACE

WEST CALDWELL, N.J. 07006

(973) 575-0610

WWW.FANCORT.COM

FAX (973) 575-9234

QUAD PACK SPECIFICATION SHEET

FA NUMBER _____

MANUFACTURER _____

AEROFLEX 352 CQFP

PART NUMBER _____

DATE _____

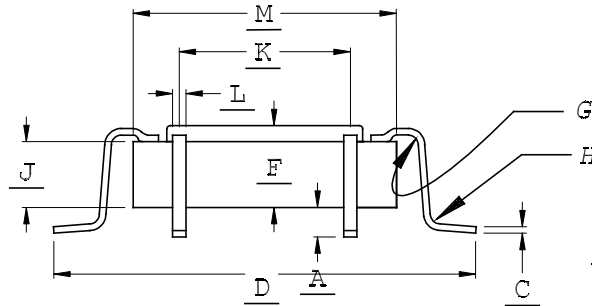
3/23/09

DRAWN BY FANCORT _____

CHECKED BY _____

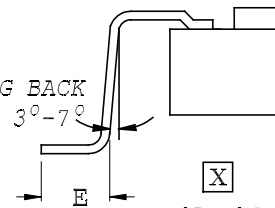
PACKAGE TYPE

TOP BRAZE



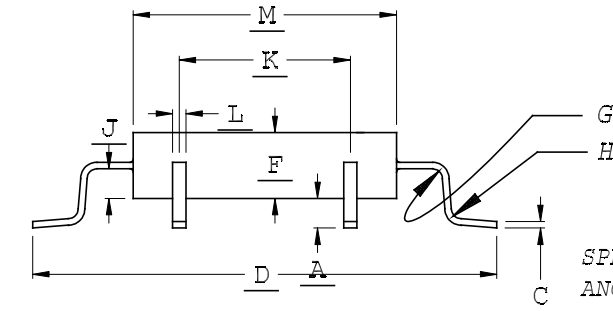
FOOT CONFIGURATIONS

SPRING BACK
ANGLE 3°-7°

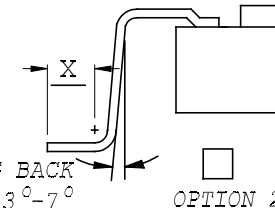


OPTION 1

SIDE EXIT

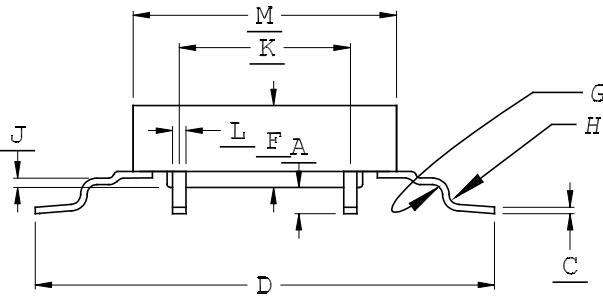


SPRING BACK
ANGLE 3°-7°



OPTION 2
JEDEC

BOTTOM EXIT



OPTION 1

OPTION 2

	DIM. I	DIM. F	TOLERANCE
A	.010	.010	.002
C	.008	.008	MAX
D	2.120	2.120	.010
E	.050	.050	.005
F	.136	.136	REF
G	.010	.010	.002
H	.010	.010	.002
J	.128	.128	MAX
K	1.712	1.712	TYP
L	.010	.010	MAX
M	1.900	1.900	MAX
PITCH	.01968	.01968	
# OF LEADS PER SIDE	88	88	
TOTAL # OF LEADS	352		

CUSTOMER SIGNATURE &
DATE FOR ACCEPTANCE _____

CONTROLLING UNITS ARE [METRIC] INCHES

LEADS TINNED YES NO

LEAD TYPE: FLAT

PACKAGE TYPE: METAL

ROUND

CERAMIC

UP 0°-4°

PLASTIC

TOE DOWN 0°-4°

GLASS SEAL