

fancort Industries, Inc.

31 FAIRFIELD PLACE

WEST CALDWELL, N.J. 07006

(973) 575-0610

WWW.FANCORT.COM

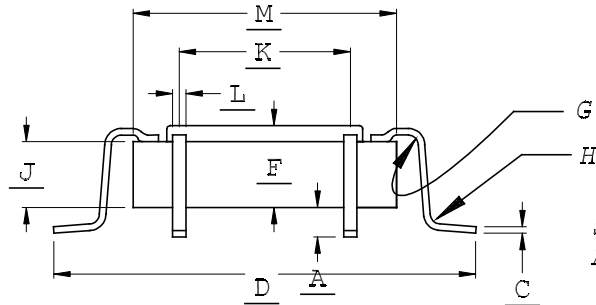
FAX (973) 575-9234

QUAD PACK SPECIFICATION SHEET

FA NUMBER _____
 MANUFACTURER AEROFLEX
 PART NUMBER 208 CQFP
 DATE 11/3/11
 DRAWN BY FANCORT BC
 CHECKED BY _____

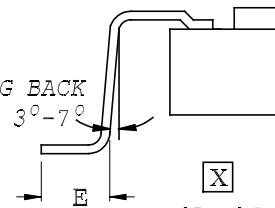
PACKAGE TYPE

TOP BRAZE



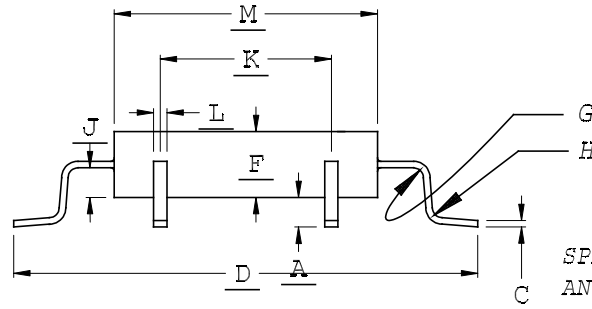
FOOT CONFIGURATIONS

SPRING BACK
ANGLE 3°-7°

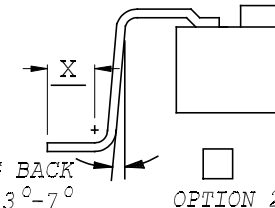


OPTION 1

SIDE EXIT

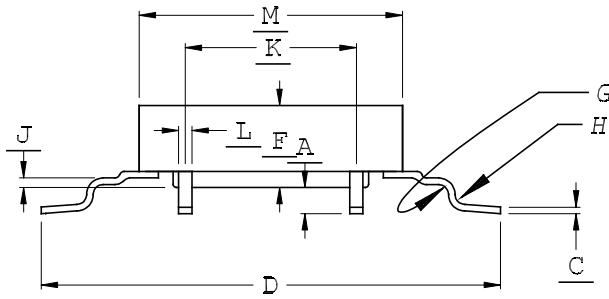


SPRING BACK
ANGLE 3°-7°



OPTION 2
JEDEC

BOTTOM EXIT



OPTION 1
OPTION 2

	DIM. I	DIM. F	TOLERANCE
A	.010	.010	.002
C	.008	.008	MAX
D	1.325	1.325	.010
E	.050	.050	.005
F	.130	.130	REF
G	.010	.010	.002
H	.010	.010	.002
J	.113	.113	REF
K	1.004	1.004	
L	.010	.010	MAX
M	1.107	1.107	MAX
PITCH	.01968	.01968	
# OF LEADS PER SIDE	52	52	
TOTAL # OF LEADS	208		

CUSTOMER SIGNATURE &
DATE FOR ACCEPTANCE _____

CONTROLLING UNITS ARE [METRIC] INCHES

LEADS TINNED YES NO

LEAD TYPE: FLAT

PACKAGE TYPE: METAL

ROUND

CERAMIC

UP 0°-4°

PLASTIC

TOE DOWN 0°-4°

GLASS SEAL