

fancort Industries, Inc.

31 FAIRFIELD PLACE

WEST CALDWELL, N. J. 07006

(973) 575-0610

WWW.FANCORT.COM

FAX (973) 575-9234

FLAT PACK SPECIFICATION SHEET

FA NUMBER _____

CUSTOMER _____

PART NUMBER **AEROFLEX 16 LEAD FP**

DATE _____

DRAWN BY FANCORT _____

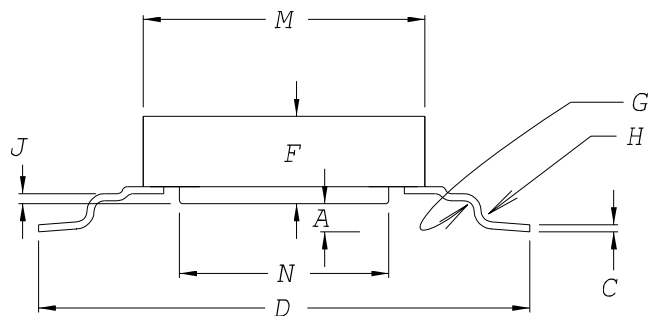
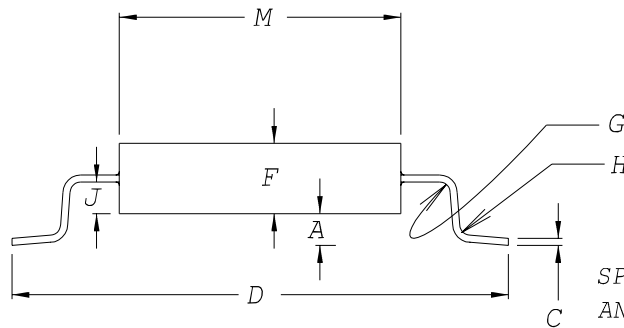
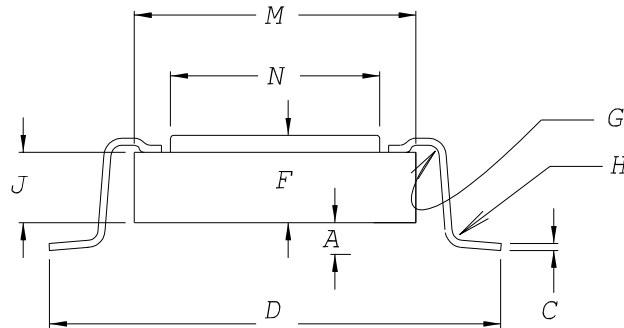
CHECKED BY _____

PACKAGE TYPE

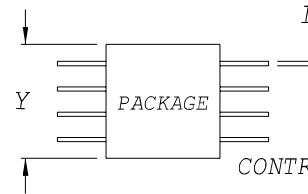
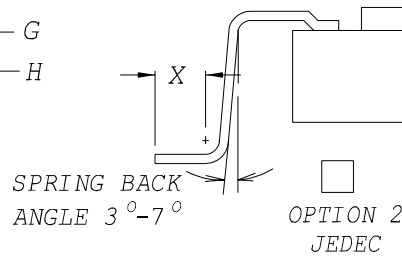
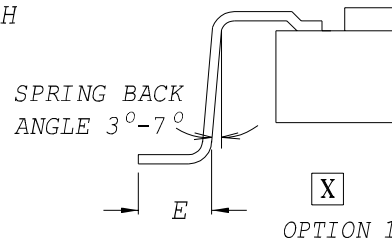
TOP BRAZE

SIDE EXIT

BOTTOM EXIT



FOOT CONFIGURATIONS



OPTION 1

OPTION 2

	DIM	TOLERANCE
A	.010	.003
C	.007	$\pm .003$
D	.485	.010
E	.050	.005
F	.115	MAX
G	.012	.002
H	.012	.002
J	.035	.010
M	.265	.020
N	.130	MIN
PACKAGE LENGTH	Y	.440 MAX
LEAD WIDTH	L	.022 MAX
PITCH		.050
# OF LEADS PER SIDE		8

CUSTOMER SIGNATURE & DATE FOR ACCEPTANCE _____

CONTROLLING UNITS ARE [METRIC] INCHES

LEADS TINNED YES NO

LEAD TYPE: FLAT

PACKAGE TYPE: METAL

ROUND

CERAMIC

TOE UP 0°-4°

PLASTIC

DOWN 0°-4°

GLASS SEAL