

fancort Industries, Inc.

31 FAIRFIELD PLACE

WEST CALDWELL, N.J. 07006

(973) 575-0610

WWW.FANCORT.COM

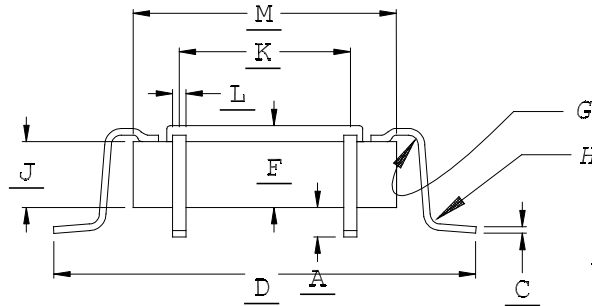
FAX (973) 575-9234

QUAD PACK SPECIFICATION SHEET

JOB NUMBER PROPOSED
 MANUFACTURER ATMEL
 PART NUMBER 256-pin MQFPF
 DATE 3/5/13
 DRAWN BY FANCORT
 CHECKED BY BC

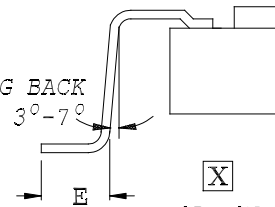
PACKAGE TYPE

TOP BRAZE



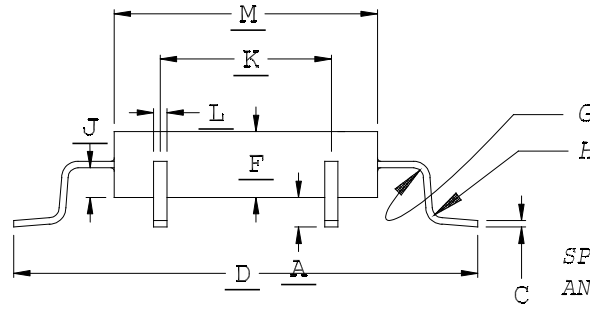
FOOT CONFIGURATIONS

SPRING BACK
ANGLE 3°-7°

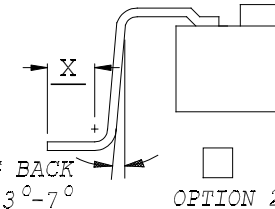


OPTION 1

SIDE EXIT

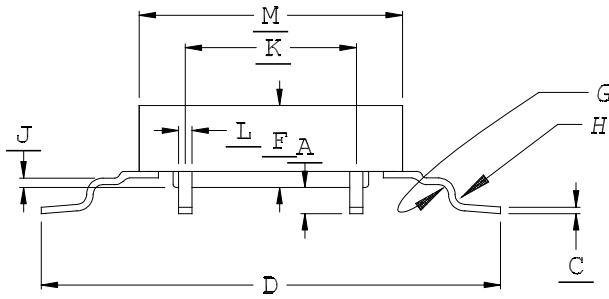


SPRING BACK
ANGLE 3°-7°



OPTION 2
JEDEC

BOTTOM EXIT



OPTION 1
OPTION 2

	DIM. I	DIM. F	TOLERANCE	+/-
A	.010	.010	.003	
C	.008	.008	MAX	
D	1.620	1.620	.010	
E	.040	.040	.005	
OPTION 1				
OPTION 2				
F	.125	.125	MAX	
G	.012	.012	.002	
H	.012	.012	.002	
J	.091	.091	.010	
K	1.260	1.260	BSC	
L	.010	.010	MAX	
M	1.470	1.470	MAX	
PITCH	.020	.020		
# OF LEADS PER SIDE	64	64		
TOTAL # OF LEADS	256			

CUSTOMER SIGNATURE &
DATE FOR ACCEPTANCE _____

CONTROLLING UNITS ARE [METRIC] INCHES

LEADS TINNED YES NO

LEAD TYPE: FLAT

PACKAGE TYPE: METAL

ROUND

CERAMIC

UP 0°-4°

PLASTIC

TOE DOWN 0°-4°

GLASS SEAL