

fancort Industries, Inc.

31 FAIRFIELD PLACE

WEST CALDWELL, N. J. 07006

(973) 575-0610

WWW.FANCORT.COM

FAX (973) 575-9234

QUAD PACK SPECIFICATION SHEET

FA NUMBER _____

CUSTOMER _____

PART NUMBER **AEROFLEX 256 QP**

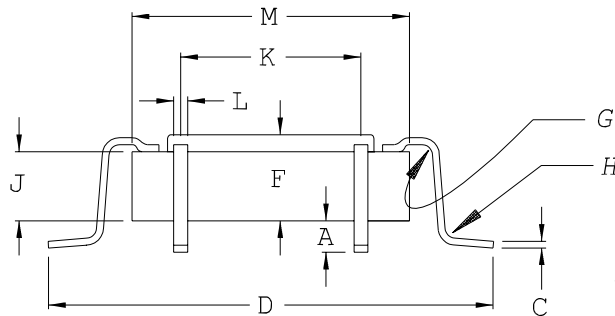
DATE _____

DRAWN BY FANCORT _____

CHECKED BY _____

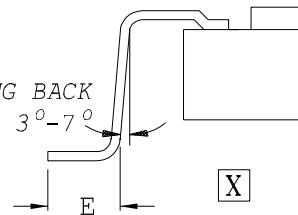
PACKAGE TYPE

TOP BRAZE



FOOT CONFIGURATIONS

SPRING BACK
ANGLE 3°-7°



OPTION 1

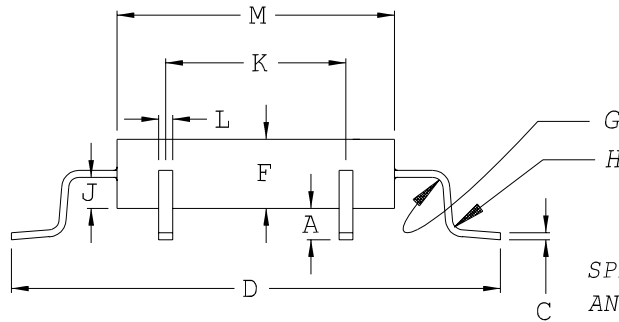
OPTION 1

OPTION 2

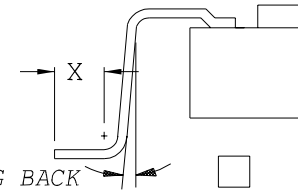
	DIM X	DIM Y	TOLERANCE
A	.010	.010	.002
C	.008	.008	MAX
D	1.685	1.685	.010
E	.045	.045	.005
F	.130	.130	MAX
G	.012	.012	.002
H	.012	.012	.002
J	.105	.105	MAX
K	1.260	1.260	TYP
L	.010	.010	MAX
M	1.475	1.475	MAX

PITCH	.020	.020	
# OF LEADS PER SIDE	64	64	
TOTAL # OF LEADS	256		

SIDE EXIT



SPRING BACK
ANGLE 3°-7°



OPTION 2

JEDEC

CUSTOMER SIGNATURE &

DATE FOR ACCEPTANCE _____

CONTROLLING UNITS ARE [METRIC] INCHES

LEADS TINNED YES NO

LEAD TYPE: FLAT

PACKAGE TYPE: METAL

ROUND

CERAMIC

TOE UP 0°-4°

PLASTIC

DOWN 0°-4°

GLASS SEAL

BOTTOM EXIT

