

fancort Industries, Inc.

31 FAIRFIELD PLACE
 (973) 575-0610 WWW.FANCORT.COM FAX (973) 575-9234
 WEST CALDWELL, N.J. 07006

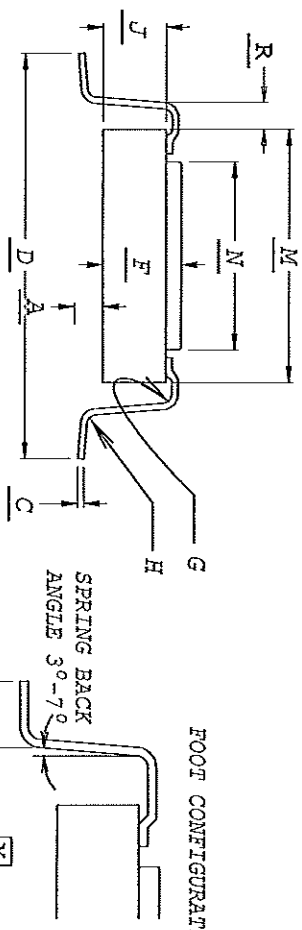
FLAT PACK SPECIFICATION SHEET

CONTROLLING DOCUMENT

MANUFACTURER ADI
 PART NUMBER 16 LEAD FLATPACK
 DATE 10/14/11

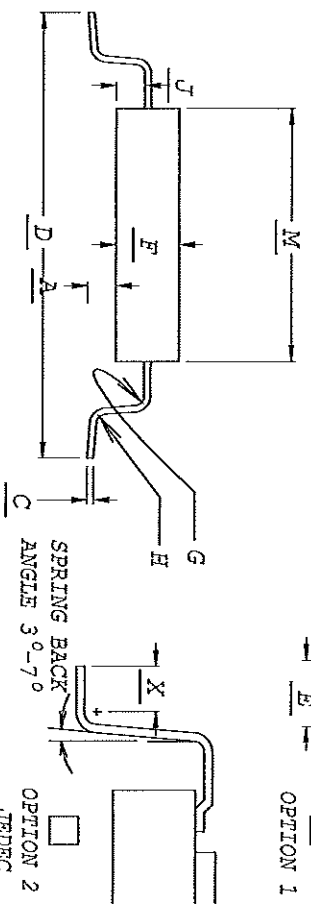
DRAWN BY FANCORT BC
 CHECKED BY

PACKAGE TYPE
 TOP BRAZE



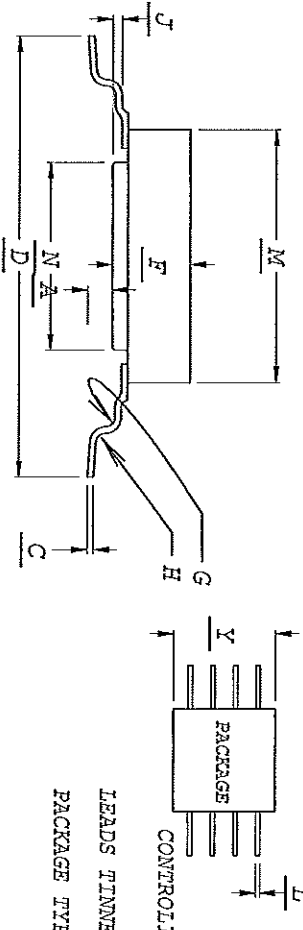
OPTION 1

SIDE EXIT



OPTION 2

BOTTOM EXIT



SIZE	TOLERANCE
A	.015 .002
C	.006 MAX
D	.490 REF
E	.055 .005
R	.055 .005
F	.093 REF
G	.008 .002
H	.008 .002
J	.062 REF
M	.270 .006
N	.190 .006
Y	.400 .008
T	.017 .002
FINISH	.050
* PER LEADS PER SIDE	8

CUSTOMER SIGNATURE & DATE FOR ACCEPTANCE
 CONTROLLING UNITS ARE [METRIC INCHES

LEADS FINNED YES NO
 LEAD TYPE: FLAT ROUND
 PACKAGE TYPE: METAL CERAMIC TOE UP DOWN
 PLASTIC GLASS SEAL