

# fancort Industries, Inc.

31 FAIRFIELD PLACE

WEST CALDWELL, N.J. 07006

(973) 575-0610

WWW.FANCORT.COM

FAX (973) 575-9234

LINE ITEM #3 & #4

## QUAD PACK SPECIFICATION SHEET

FA NUMBER PO 9340

CUSTOMER LEDA

PART NUMBER RTAX2000S-CQ352 PROTO

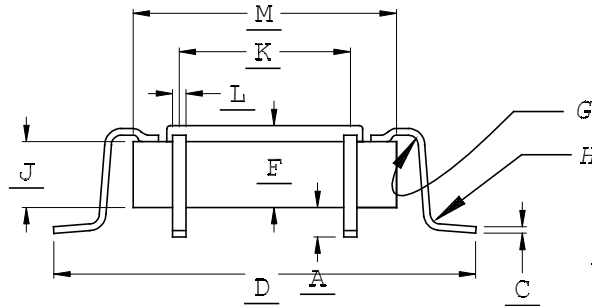
DATE 12/20/12

DRAWN BY FANCORT BC

CHECKED BY \_\_\_\_\_

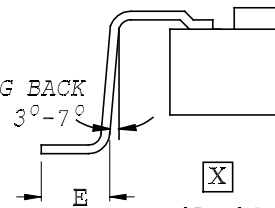
PACKAGE TYPE

TOP BRAZE



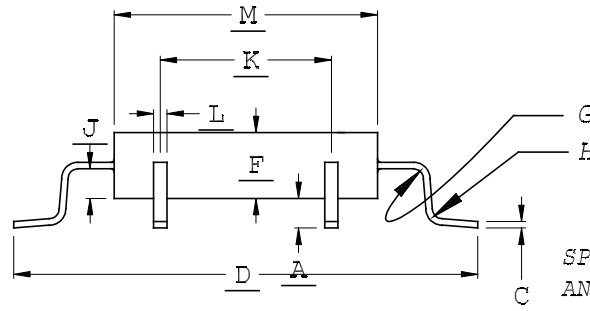
FOOT CONFIGURATIONS

SPRING BACK  
ANGLE 3°-7°

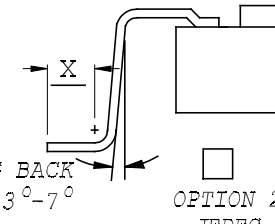


OPTION 1

SIDE EXIT

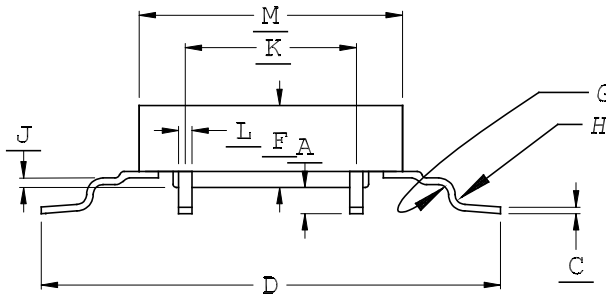


SPRING BACK  
ANGLE 3°-7°



OPTION 2  
JEDEC

BOTTOM EXIT



OPTION 1  
OPTION 2

	DIM. I	DIM. F	TOLERANCE
A	.010	.010	.002
C	.006	.006	
D	2.140	2.140	.010
E	.040	.040	.005
F	.120	.120	
G	.010	.010	+0.004/-0.002
H	.010	.010	+0.004/-0.002
J	.098	.098	
K			
L			
M	1.884	1.884	
PITCH	.0197	.0197	
# OF LEADS PER SIDE	88	88	
TOTAL # OF LEADS	352		

CUSTOMER SIGNATURE &  
DATE FOR ACCEPTANCE \_\_\_\_\_

CONTROLLING UNITS ARE [METRIC ] INCHES

LEADS TINNED  YES  NO

LEAD TYPE: FLAT

PACKAGE TYPE: METAL

ROUND

CERAMIC

UP  0°-4°

PLASTIC

TOE DOWN  0°-4°

GLASS SEAL