

fancort Industries, Inc.

31 FAIRFIELD PLACE

WEST CALDWELL, N. J. 07006

(973) 575-0610

WWW.FANCORT.COM

FAX (973) 575-9234

FLAT PACK SPECIFICATION SHEET

FA NUMBER FS1213

CUSTOMER SAIC

PART NUMBER 7809LPRPFK

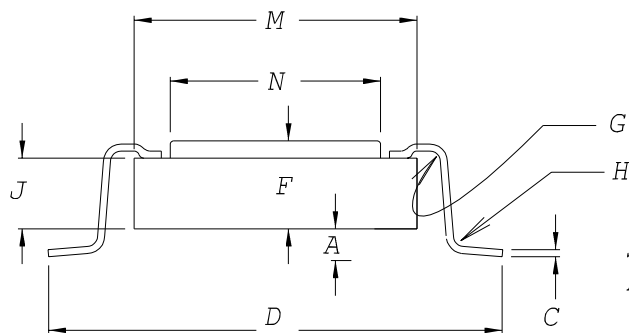
DATE 11/19/08

DRAWN BY FANCORT BC

CHECKED BY _____

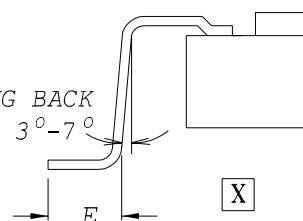
PACKAGE TYPE

TOP BRAZE



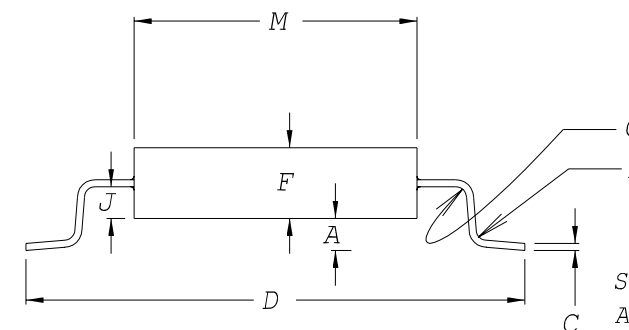
FOOT CONFIGURATIONS

SPRING BACK
ANGLE 3°-7°

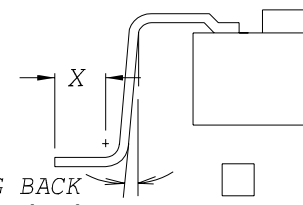


OPTION 1

SIDE EXIT



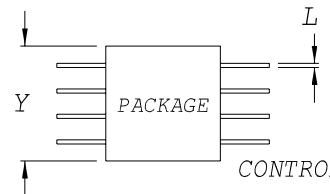
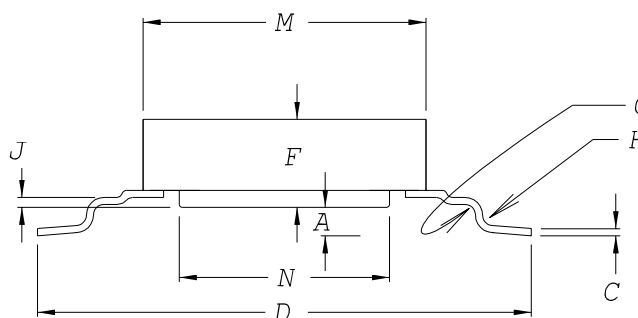
SPRING BACK
ANGLE 3°-7°



OPTION 2

JEDEC

BOTTOM EXIT



CUSTOMER SIGNATURE &
DATE FOR ACCEPTANCE _____

CONTROLLING UNITS ARE [METRIC] INCHES

LEADS TINNED YES NO

LEAD TYPE: FLAT

PACKAGE TYPE: METAL

ROUND

CERAMIC

TOE UP 0°-4°

PLASTIC

DOWN 0°-4°

GLASS SEAL

	DIM.	TOLERANCE
A	.030	.003
C	.009	
D	.618	.010
E	.060	.005
X	-----	-----
F	.275	
G	.012	.002
H	.012	.002
J	.044	
M	.398	
N	-----	-----
PACKAGE LENGTH	Y	.594
LEAD WIDTH	L	.017
PITCH		.050
# OF LEADS PER SIDE		12

OPTION 1

OPTION 2