


FOR INTERNAL USE ONLY
 APPROVED BY 

fancort industries, inc.

31 FAIRFIELD PLACE
 WEST CALDWELL, N.J. 07006
 (973) 575-0610
 (973) 575-9234

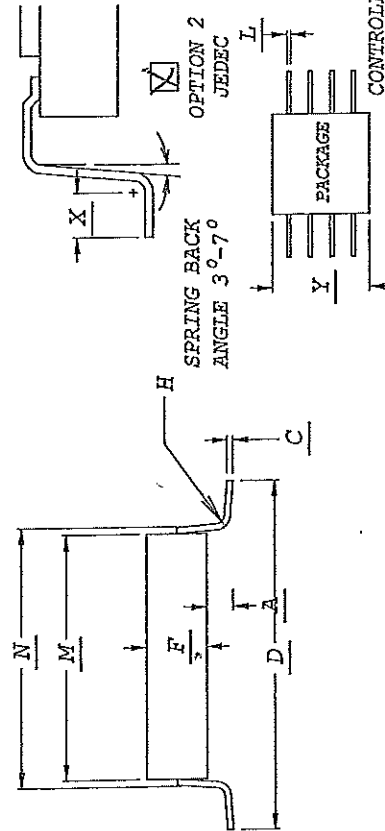
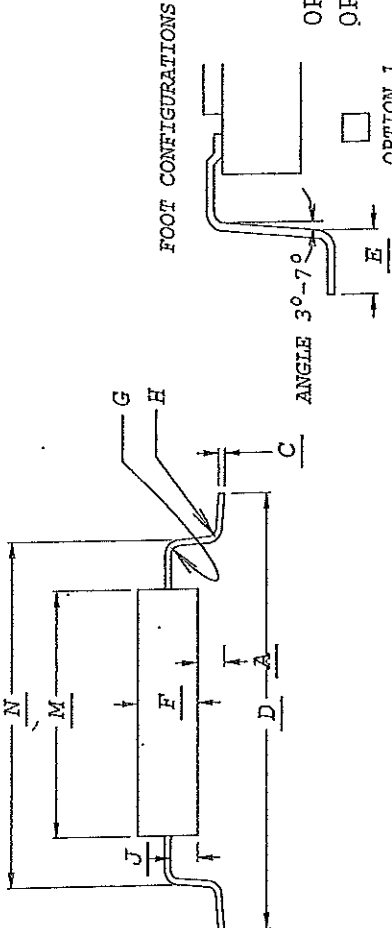
FS NUMBER
 CUSTOMER
 PART NUMBER CERDIP16

QCI-LFS5

DIP TO GULLWING TEST SHEET

DATE 05 JAN, '16
 SAMPLE # 1 OF 1

INSPECTED BY RB



PACKAGE TYPE
 SIDE EXIT

PACKAGE TYPE
 SIDE BRAZE

DN.	TOLERANCE	TEST RESULTS
A	±.070	±.003 .072
C	±.010	±.002 .010
D	±.060	±.010 .451
E	±	—
X	±.040	±MIN. .051
F	±.130	±.009 .128
G	±	—
H	±.014	±MIN. .016
J	±	—
M	±.295	±.008 .290
N	±.510	±.010 .308
Y	±.810	MAX. .800
L	±.018	TYP .018
PITCH		.100
# OF LEADS PER SIDE		8

NOTES:

① CUT OFF ON D-2 @ .124"

② FORM ON FA-4397 RIGHT SIDE (.045" THICK), FINISH ON LEFT SIDE (.048" THICK)

CONTROLLING UNITS ARE [METRIC] INCHES

- LEADS TINNED YES NO
- LEAD TYPE: FLAT ROUND UP DOWN
- TOE UP DOWN
- PACKAGE TYPE: METAL CERAMIC PLASTIC GLASS SEAL

ACTUAL TOE 1.09